

# I/R Thermometer Gun 8:1

800101, 800102

INSTRUCTION MANUAL

SPER  
SCIENTIFIC


---

<b>Contents</b>	<b>Page</b>
1. INTRODUCTION .....	2
2. SAFETY SPECIFICATIONS .....	3
3. DISPLAY AND BUTTON LOCATIONS .....	4
4. BATTERY REPLACEMENT .....	5
5. MEASURING PROCEDURE .....	5
6. CLEANING .....	5
7. NOTES .....	6
8. SPECIFICATIONS.....	7
9. WARRANTY .....	8

---

## **1. INTRODUCTION**

Simply hold the IR gun, press the trigger and aim the laser guide at the target. Temperature results immediately appear on the display. Features include laser guide, 4-digit backlit LCD, wide measuring ranges, °C/°F selectable, and automatic shut off. A 9V battery is included.

2.  **SAFETY SPECIFICATIONS**  
Conforms to the following standards.

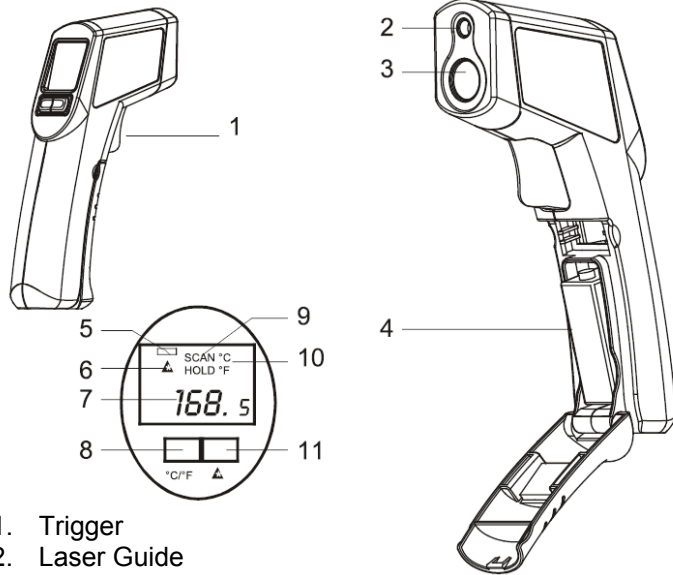
- EN61326: Electrical equip. for measurement/control/labs.
- IEC61000-4-2: Electrostatic discharge immunity test.
- IEC61000-4-3: Radiated, radio freq. electromagnetic field immunity test.
- IEC61000-4-8: Power freq. magnetic-field immunity test.
- CFR 1040.10 subchapter J            Class II Laser Product

Tests were conducted using a freq. range of 80~1000MHz with the IR Gun in 3 orientations. The average error for the 3 orientations is  $\pm 0.5^{\circ}\text{C}$  ( $\pm 1.0^{\circ}\text{F}$ ) at 3V/m throughout the spectrum. However, between 781~1000MHz at 3V/m, the IR Gun may not meet its stated accuracy.

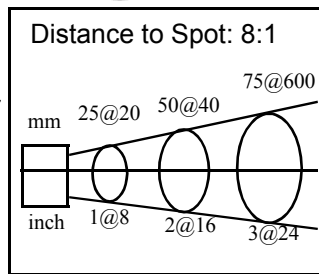


CE

### 3. DISPLAY AND BUTTON LOCATIONS



1. Trigger
2. Laser Guide
3. IR Sensor
4. Battery
5. Low Battery Indicator
6. Laser Guide On/Off Indicator
7. Temperature Display
8. C/F Button
9. Scan/Hold Indicators
10. C/F Indicators
11. Laser On/Off Button



#### **4. BATTERY REPLACEMENT**

- Replace the battery when the **Low Battery Indicator (5)** is displayed.
- Open the battery cover, install a fresh 9V battery and close the cover. Battery life expectancy is 16 hours.

#### **5. MEASURING PROCEDURE**

- Point the IR Gun at the object to be measured.
- Pull and hold the **TRIGGER (1)** to obtain a continually updated temperature until the trigger is released. "**SCAN**" (9) flashes on the display.
- Press the **°C/°F BUTTON (8)** to switch temperature units.
- Press the **LASER ON/OFF BUTTON (11)** to turn the **LASER GUIDE (2)** on or off.
- Release the **TRIGGER (1)** and last temperature reading is displayed for approximately 6 seconds before turning off. "**HOLD**" (9) is displayed.

#### **6. CLEANING**

Clean the lens with compressed air, use a soft brush, or carefully wipe the surface with a moist cotton swab. Do not use solvents on the lens. The housing may be cleaned with mild soapy water on a cloth or sponge.

## 7. NOTES

- Emissivity is the ability of an object to emit or absorb energy. Your IR Gun measures emitted energy using a fixed emissivity value of 0.95 (which covers about 90% of typical applications). When measuring highly reflective surfaces, apply masking tape to the surface or a paint that has a 0.95 emissivity. If the object you are measuring is covered with frost, clear the frost to expose the object's surface before taking the measurement.
- Your IR Gun has an 8:1 Distance-to-Spot ratio.
- The target must be larger than the IR Gun's spot size. (The smaller the target, the closer you must be to it.)
- Your reading may fluctuate if the IR Gun is moved during measurement.
- Allow the IR Gun to adjust to the ambient temperature for 1/2 hour before use for the most accurate results.
- This IR Gun is not intended for medical evaluations.
- Protect the IR Gun from water, physical or electrical shock, dust, and extreme environments.
- Contains a laser pointer. Keep out of reach of children.

## 8. SPECIFICATIONS

Model	800101	800102
Range	-4~605°F -20~320°C	-4~930°F -20~500°C
Accuracy	±2% of reading or ±2°C (±3°F) at 25°C whichever is greater	±2°C (±3°F) from -20~100°C (-4~212°F) ±2% from 100~500°C (212~930°F)
Resolution	0.5°C/F	0.2° C/F
D:S Ratio	8:1	
Thermopile	5~14µm	
Repeatability	±2°F (±1°C)	
Laser Output	<1mW Wavelength 630~670 nm	
Response Time	500ms	
Oper. Temp.	32~122°F (0~50°C) 10~90%RH	
Emissivity:	Fixed at 0.95	
Storage Temp.	14 ~ 140°F (-10 ~ 60°C)	
Dimensions	6 x 5 x 2" (150 x 133 x 45mm)	
Weight	6 oz (171g)	

## **9. WARRANTY**

Sper Scientific warrants this product against defects in materials and workmanship for a period of 5 years from the date of purchase, and agrees to repair or replace any defective unit without charge. If your model has since been discontinued, an equivalent Sper Scientific product will be substituted if available. This warranty does not cover damage resulting from accident, misuse, or abuse of the product. To obtain warranty service, ship the unit postage prepaid to:

**SPER SCIENTIFIC LTD**  
7720 E Redfield Rd, Suite 7  
Scottsdale, AZ 85260 USA  
[WWW.SPERSCIENTIFIC.COM](http://WWW.SPERSCIENTIFIC.COM)  
[INFO@SPERSCIENTIFIC.COM](mailto:INFO@SPERSCIENTIFIC.COM)

The defective unit must be accompanied by a description of the problem and your return address. Register your product online or return your warranty card within 10 days of purchase.